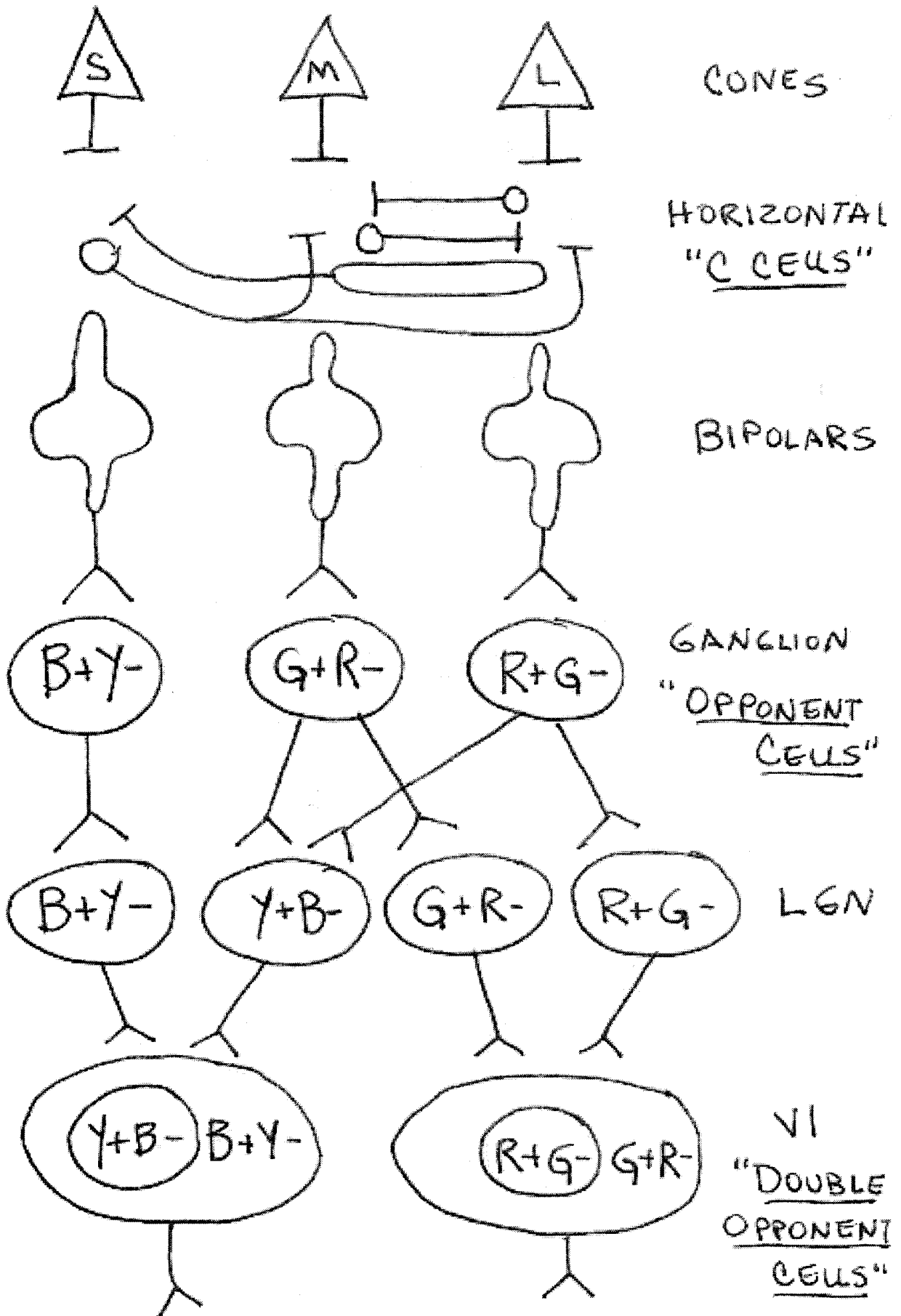
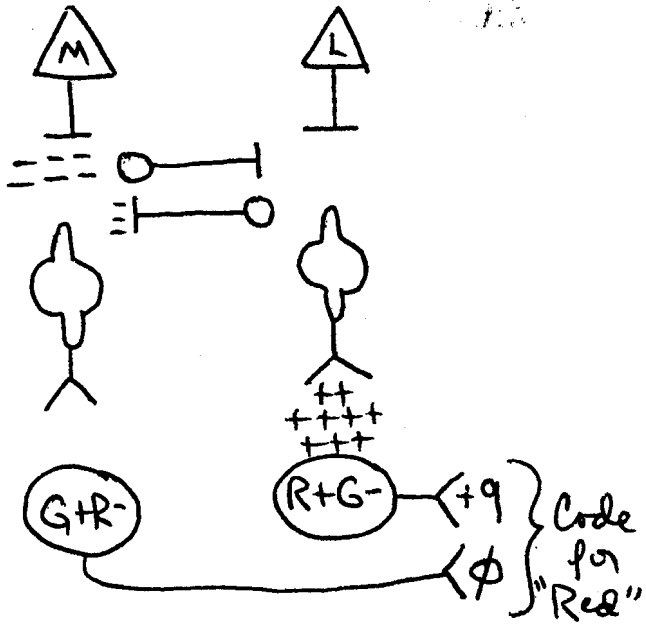


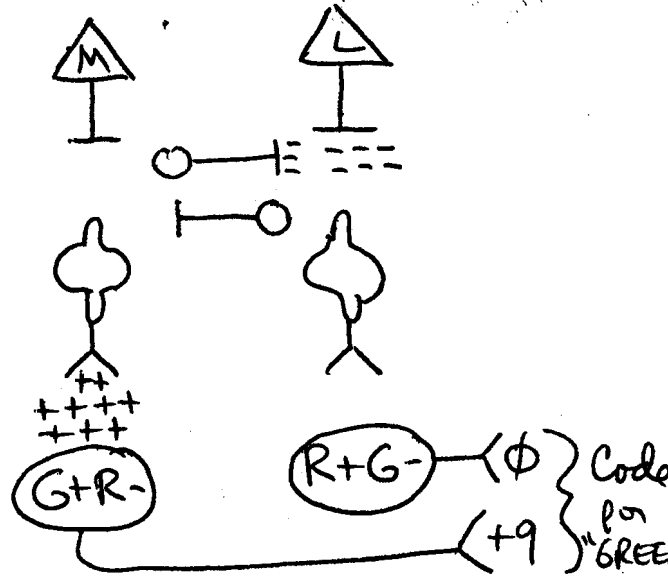
COLOR OPPONENCY CIRCUIT



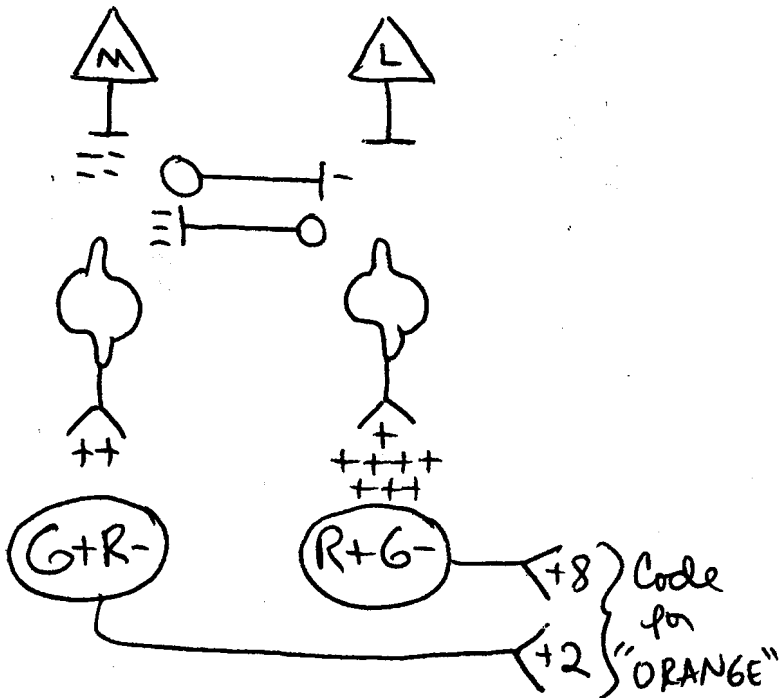
Red light Only



Green light Only



More Red than Green light



Equal Red and Green Light

